

INTRINSIX



STORM

STORM

STAINLESS STEEL HAND DRYER



Description

Robust Construction: The Storm has been meticulously fashioned from high-grade stainless steel giving it unwavering strength and resilience, ensuring enduring performance and resistance to corrosion even in demanding environments.

Intelligent Heating System: Utilizing an intelligent heating mechanism, The Storm dryer efficiently regulates its temperature, conserving energy by automatically deactivating when not in use, ensuring an eco-friendly and cost-effective operation.

Cutting-Edge HEPA Filtration: Featuring a cutting-edge built-in HEPA filter, The Storm guarantees a pristine and contaminant-free airflow, promoting a hygienic and germ-free drying experience for users.

Certified Compliance: Fully complying with UL standards, The Storm hand dryer comes with comprehensive safety features including over-current and overheat protection, as well as a 45-second overtime protection, ensuring a secure and reliable user experience.

Specifications

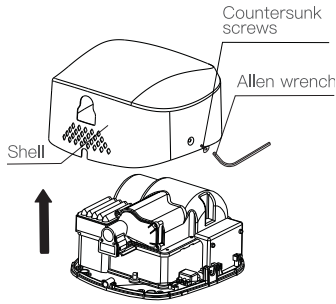
- Model Number: IX-STHD-120
- Sensor: Yes
- Voltage (V): 110V-130V
- Power (W): 1400W
- Heating Power: 650W-750W
- Power Source: Electric
- Dimension: 11.8"L x 7.0"W x 11.8"H
- Sensing Distance: 6-8"
- Case Material: 304 Stainless Steel
- Waterproof Level: IP14
- Drying Time: 10-15s
- Certification: CE, CB, GS, UL, ROHS, PSE, GCC, SAA, REACH
- Application: Commercial, Household and etc.
- Warranty: 2 Years



Product Installation

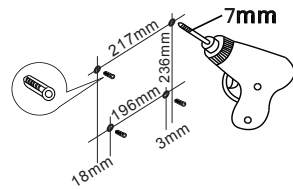
Shell remove

Use Allen wrench from accessories bag to remove 2 countersunk screws from body shell. Pull the shell upward carefully to avoid scratching.



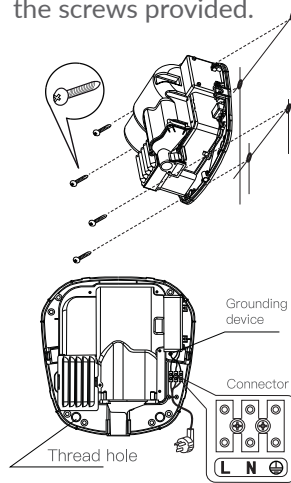
Drill hole

Drill four holes into the wall using a 7mm drill bit and insert the plastic plugs.



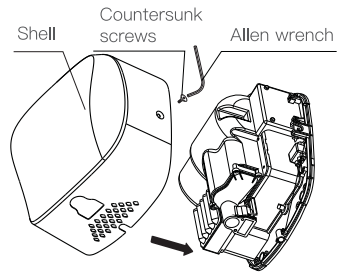
Mounting baseplate

Line up the holes in backplate with the plastic plugs and fix it onto the wall using the screws provided.



Shell installation

Line up the holes on the sides of the shell with the thread holes in the backplate. Insert and tighten the 2 countersunk screws to secure the shell to the backplate.



Product Dimensions

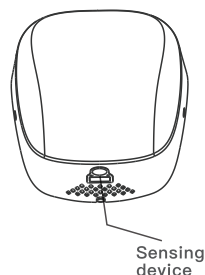


A Height 12.28" 312mm
 B Width 11.88" 302mm
 C Depth 6.77" 172mm

Product Maintenance

External maintenance

Clean with a soft dry cloth or towel. Please use neutral detergent. Don't use organic solvents, acids or alkali toilet cleaners, cleaning brushes etc or urface finish will be damaged or discoloration can occur. Take special card if using a chemical cloth.

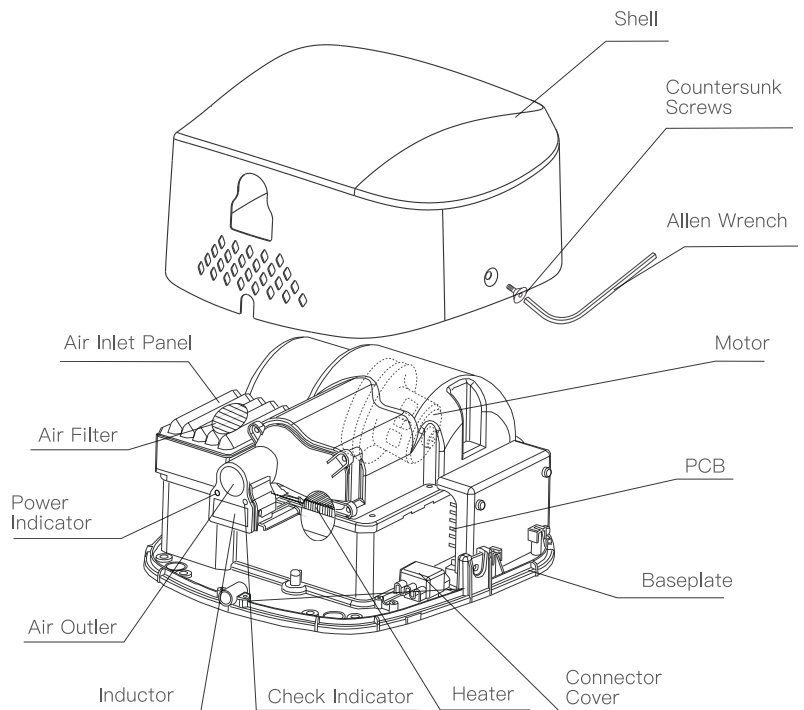
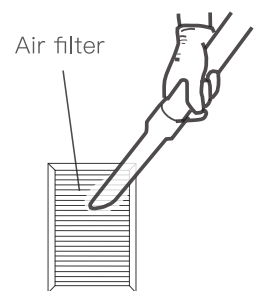


Air filter maintenance

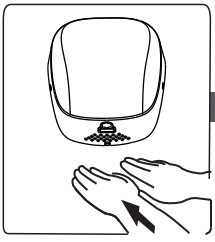
Cleaning cycle: every 6 months or when the air speed significantly decreases. Open the air inlet panel and remove the air filter out by the handle.

Cleaning the air filter

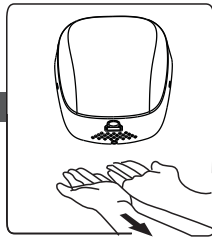
Beat it lightly by hand or use a vacuum cleaner. A hairbrush can also be used to wipe off dust. Air filter can then be cleaned with water, Re-attach to the unit when dry.



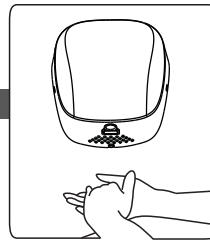
Product Usage



Slowly dry back of hands, starting at the fingertips and move towards wrists.



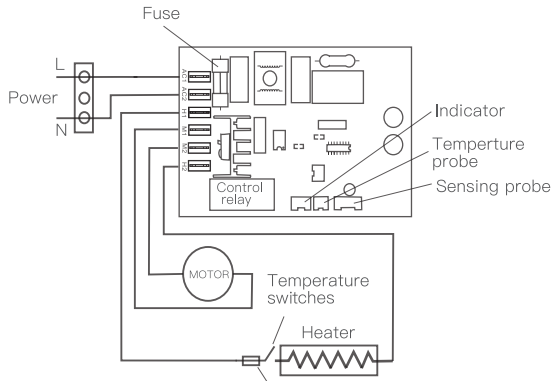
Slowly dry palms of hands, starting at the fingertips and move towards wrists.



Rub hands together until dry.



Precautions before Installation



Steps	Confirm information	Check & Notice
Shake the unit gently	The unit is installed firmly without shaking	Shaking and noise will occur if not installed properly
Confirm the power voltage	use the rated voltage	If voltage is incorrect it could burn out the motor and cause accidents to humans
Switch on the power	Close external power supply switch or insert the power plugs	Power socket & plug must be compatible. If indicator light is dim check the power supply
Slide hands under dryer outlet	High speed wind blow out	Check whether hands are too far from sensor if there is no air blowing out

Do not install in the following places (otherwise may cause malfunction).

- Places with temperature below -10°C or over 40°C
- Places that are directly sprinkled by water
- Places in direct sunlight or strong light
- Places where condensation occurs
- Places filled with corrosive, oxidizing and reducing gas
- Places with altitude over the range of 0-2000 metres

Installation location

- If there is a floor or obstacles below the unit, the distance between unit should be at least 400mm.
- Keep the right side of unit away from mirrors or walls as the water droplets may splash out when you dry hands. (The distance should be 100mm).
- Please avoid places that may be in the way of people and door access.
- Please select a flat wall to install this product.



Environmental protection

Waste electrical products should not be disposed of with household waste. Please recycle where facilities exist. Check with your local authority or retailer for recycling advice.



As the global safety science leader, UL helps companies to demonstrate safety, enhance sustainability, strengthen security, deliver quality, manage risk, and achieve regulatory compliance. The UL mark means that the global safety certification company UL has confirmed that the product has been independently tested and is safe for use.



The Federal Communications Commission (FCC) is an independent agency of the United States government that was created to regulate all forms of telecommunication inside of the U.S. including the radio frequency (RF) of electronics. Our products are fully tested ensure that they will not electromagnetically interfere with other products nor cause risk to the public as required by law.

Warnings



If you don't use this unit properly or follow the safety guidelines carefully, it would lead to serious personal injury or property damage.



Prohibited

Do not let children hang or swing on the unit or there may be a risk of falling. Do not open the front panel. Otherwise, it may cause electric shock risk.



Do not spray water

Do not splash water otherwise it may cause electric shock risk.



Prohibit the use in bathrooms and showers

Do not use in places where water is directly splashed or in places where it is prone to freezing or it may cause fire, electric shock and injury.



Prohibit dismantling

Do not perform unnecessary dismantling.



Please follow the instructions

Rated power is required. If power tolerance is over $\pm 10\%$, there will be breakdown. If using incorrect power supply, fire, electric shock and unit malfunction will happen. Please use dedicated socket.

If used in combination with other appliances, it may cause abnormal heat in the shunt outlet. Power must be turned off during maintenance to prevent the risk of electric shock.

Air filter must be installed.

If the unit doesn't work or have abnormal conditions, please turn off power to prevent accidents.

Close leakage circuit breaker and ask supplier to check and repair, or it may lead to fire due to electricity leakage and short circuit.

Unit must have reliable ground connection.

Attention when installation: Do not install when the unit is power connected.



Warning

This appliance is not intended for use by persons (including children) with reduced physical, sensory or mental capabilities, or lack of experience and knowledge, unless they have been given supervision or instruction concerning use of the appliance by a person responsible for their safety.

If the cord is damaged, it must be replaced by the manufacturer, its service agent or similarly qualified persons in order to avoid a hazard.

For additional protection, the installation of a residual current device (RCD), with a rated residual operating current not exceeding 30mA, is advisable in the electrical circuit supplying the bathroom.

Ask your installer for advice.

This appliance can be used by children aged from 8 years and above and persons with reduced physical, sensory or mental capabilities or lack of experience and knowledge if they have been given supervision or instruction concerning the use of the appliance in a safe way and understand the hazards involved. Children shall not play with the appliance. Cleaning and user maintenance shall not be made by children without supervision.