

INTRINSIX



PRODUCT
CATALOG

20
22

Humble beginnings.

How many great companies begin.

There is no argument that people do business with companies they like and trust. Duralec instills trust and loyalty among our customers by simply serving them with the right solutions.

Duralec was launched in 2018, initially selling only wiring devices, but quickly expanded into high quality and affordable lighting solutions at the request of our quickly-growing customer base. By listening to customer demand, we not only developed trust, but we created genuine relationships with our clients. We have made it part of our company culture to always seek new and valuable ways that we can serve our customers by adding value through saving them money, and providing a level of service second to none.

After a few years of experience and a lot of R&D, Duralec has built a full inventory and staff to better serve the marketplace. We stock solutions for commercial, industrial, residential, specialized and customized lighting, plus everything from basic wall switches to sophisticated PoE, IoT and wireless Bluetooth lighting control systems. Whatever your need, Duralec has the background experience, availability and buying power to suit all of your lighting requirements.



ORDERING CODE BREAKDOWN

DL - FCWP - 0000 - 50L02DM1

Code "FCWP"

denotes Product Series Name, which is FCWP = Full Cutoff Wall Pack.

Suffix "yyyy"

denotes the wattage of luminaries, can be from 0048 to 0070; each 1W gradually increase, max. 70W, from 0070 to 0130, each 5W gradually increase, max. 130W, for example 0048 = 48W.

Suffix "CC"

can be two arbitrary numbers, which denotes LED Color temperature, for example 50 = 5000K.

Suffix "D"

denotes range of input voltage; can be L or H, where L = Low Voltage Range, H = High Voltage range or same as LED Driver Input.

Suffix "XX"

denotes luminaries shell shape or Overall dimension, can be 01 or 02; which denotes luminaries shell shape and overall dimension, where 01 = L361mm x W235mm x H180mm or 02 = L320mm x W130mm x H175mm.

Suffix "YY"

denotes Dimmable; can be DM or ND, where DM = Dimmable or ND = Non-Dimmable.

Suffix "Z"

can be 1, 2, 3 or 4, which denotes Light Distribution, where 1 = T3, 2 = T4FT, 3 = 5WQ or 4 = Others.



CONTACT US



DURALEC.COM



847-250-7902



SALES@DURALEC.COM



550 ALBION AVE. SCHAUMBURG, IL 60193



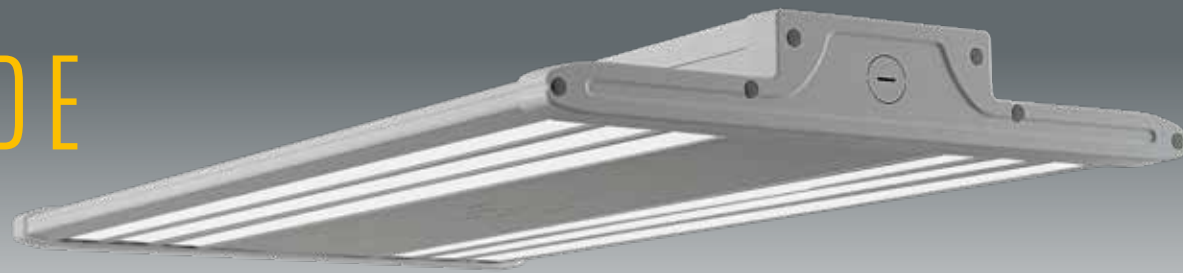
Reach out to Intrinsic to meet a friendly representative today by calling

847-250-7902

CONTENTS

	ALTITUDE	4
	SAUCA	5
	VISTA	6
	STRATA	7
	SOFCAN	8
	LATTITUDE	9
	REFRACTOR	10
	COMET-MINI	11
	COMET	12
	ECLIPSE-FULL CUTOFF	14
	ECLIPSE-SEMI CUTOFF	15
	ECLIPSE-MINI	16
	WIRING DEVICES	17
	CASE STUDIES	19

ALTITUDE



The ALTITUDE High Bay Fixtures are especially designed for industrial use. Patented anti-glare design minimizes the glare as well as optimizes the lighting performance. Highly efficient Up to 130lm/w, with Motion Sensor and emergency backup options.

Product features

- Material: (White) Aluminum+PMMA
- Super bright 80lm LED 2835SMD, Ra>80
- Lumen output: 130lm/w
- PF>0.9, THD≤20%
- AC120-277V, 1-10V dimmable
- High quality PMMA lens
- Flicker-free technology
- UL, cUL certifications
- 5 Year Warranty



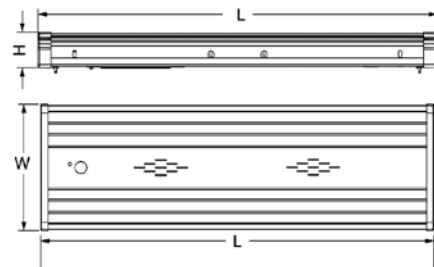
QUICK-SIGHT LEVEL



Product dimensions

DL-LHB02 (110/160/220W)

600x345x55mm (23.6x13.6x2.2in.)



Model selection

FAMILY	SIZE	WATTS	FEATURES	CCT	VOLTAGE	SERIAL NUMBER
DL-LHB	XX(02/04)	AAA(110-320)	DM/SD	CC(00-99)	D(L)	E(0-9)
	02=1'x2'	110=110W 160=160W 220=220W	DM(Dimming function) SD(Sensing + Dimming function)	50=5000K	L=120-277Vac	0=130lm/w

Packaging information

MODEL	WATTS	L	W	H	NET WEIGHT	GROSS WEIGHT
DL-LHB02-110	110W	650mm	395mm	110mm	7.9 lbs	10.1 lbs
DL-LHB02-160	160W	650mm	395mm	110mm	7.9 lbs	10.1 lbs
DL-LHB02-220	220W	650mm	395mm	110mm	7.9 lbs	10.1 lbs



Accessories (optional)

Microwave sensor, infrared sensor, emergency backup driver, power.

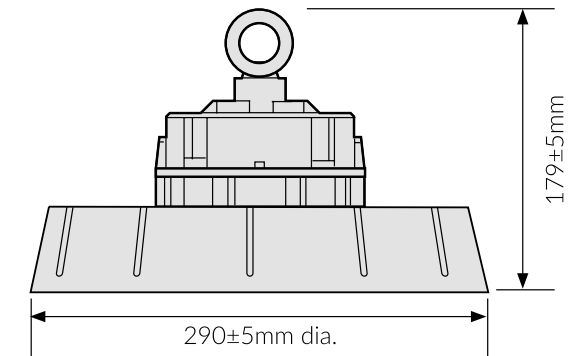
SAUCA



Duralec's SAUCA Round High Bays are highly efficient at 140lm/w. Our Round High Bay is designed for versatile use by offering features that allow for better controllability and installation. Center sensor mounting makes for a simpler installation.

Product features

- UL Listed
- DLC 5.1 Premium
- 100V-277V
- 0-10V Dimmable
- Easy installation
- Center cap included as a permanent or temporary cover for sensor portion
- Lumileds
- 140lm/w-150lm/w
- 90 degree beam pattern
- 4kv surge protection standard
- 50,000+ hours lifespan
- IP65 Rated



Ordering information

MODEL NUMBER	WATTAGE	VOLTAGE	KELVIN TEMP	OPTIONS
DL-RHB-100DM-50L0	100W	120V-277V	5000K	Screw In Motion Sensor
DL-RHB-150DM-50L0	150W	100V-277V	5000K	Screw In Motion Sensor



Bottom view



Top view



VISTA



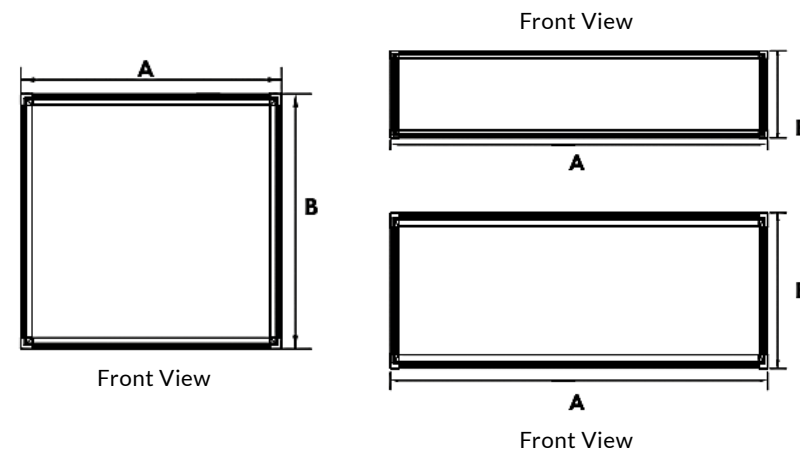
The Duralec VISTA High Efficacy Back-Lit LED Panel Light is designed to offer a superior efficacy of 125lm/w. It is an excellent alternative to the fluorescent troffers. The thin and light-weight back-lit design easily lays into drop ceilings.

This LED and flat panel combination provides an energy efficient luminescence (up to 75% savings over traditional fluorescent lights) with no shadows or dark spots. Measuring at just 1.77" in height, it removes any visual barrier to the light in the ceiling.

Product features

- Ultra Slim Body
- 125lm/w
- UV treated PS diffuser for anti-yellowing with time
- Input voltage range: 120-277V, 50-60Hz
- CCT: 3500K-5700K, dimming optional
- Foldable edge design, no light leakage and better dust proofing
- 50,000+ hours lifespan

Product dimensions



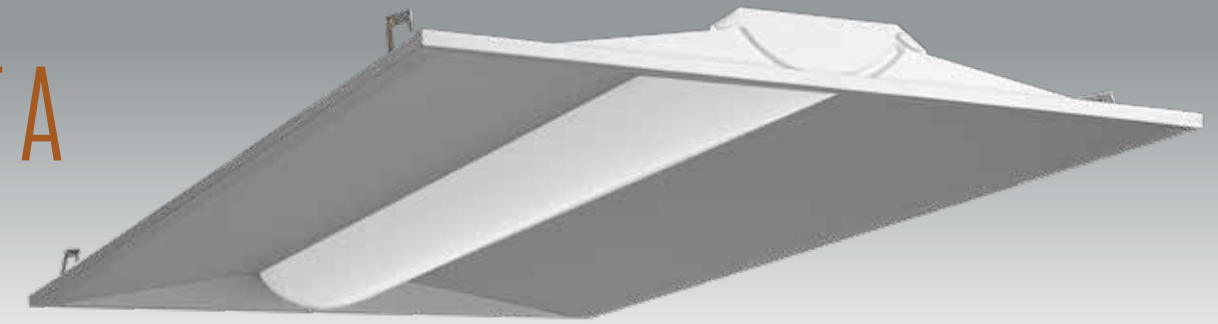
MODEL NUMBER	MAX WATTAGE	WATTAGE OPTIONAL	CCT(K)	CRI	EFFICACY(LM/W)
DL-FPBL-22-20/30/40-35/40/50	Max 40W	20/30/40	3500/4000/5000K	80+	125lm/w
DL-FPBL-24-30/40/50-35/40/50	Max 50W	30/40/50	3500/4000/5000K	80+	125lm/w

Ordering Information

PART NUMBER	SIZE	WATTAGE	CCT
DL-FPBL	XX	yy/yy/yy	354050
	22	40/30/20	
	24	50/40/30	



STRATA



Duralec's STRATA Series sets the new standard for all LED Troffer Lighting. Offering 3 field selectable color temps (3500K, 4000K, 5000K).

The STRATA also offers 3 field selectable wattages — the 2X4 24W/36W/45W and the 2X2 24W/30W/36W — making this solution the best option for new construction or renovation.

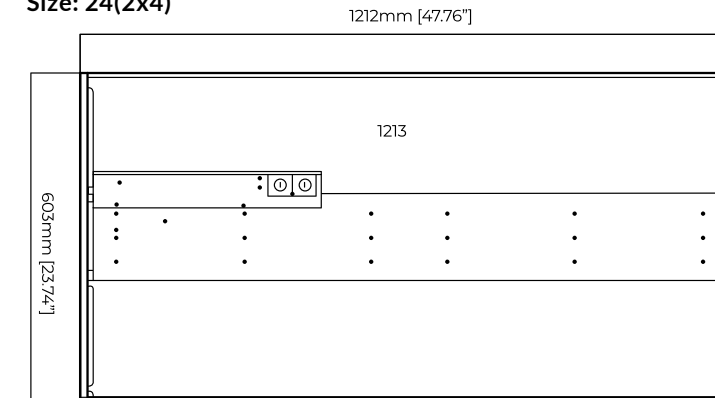
Product features

- 120V-277V
- Ultra thin design (2.16" H)
- 130lm/w
- Wattage and color temp selectable
- 0-10V Dimming standard
- UL Listed driver
- ETL Listed
- DLC Listed
- 50,000+ hours lifespan

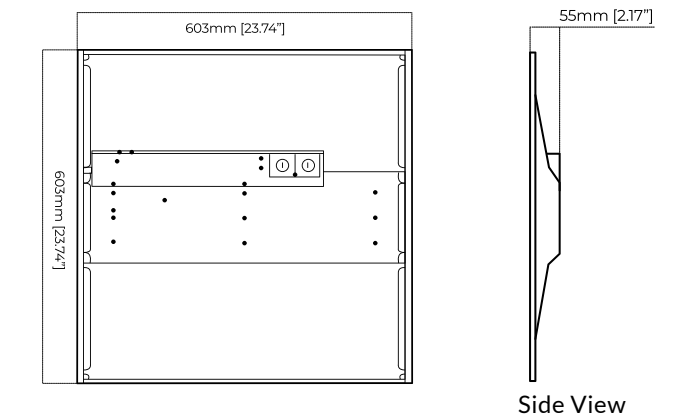


Product dimensions

Size: 24(2x4)



Size: 22(2x2)



Ordering Information

SERIES	SIZE	WATTAGES	DIMMABLE	VOLTAGE	CCT'S	T	OPTIONS
DL-3TRS	22	24W/30W/36W	0-10V	120V-277V	3500/4000/5000K	Tunable	EM=Battery Backup
DL-3TRS	24	24W/36W/45W	0-10V	120V-277V	3500/4000/5000K	Tunable	EM=Battery Backup



SOFCAN



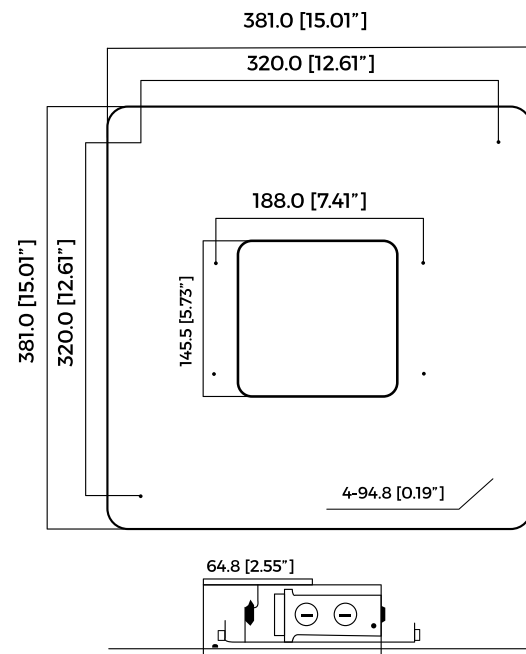
Duralec's SOFCAN Canopy Retrofit is the perfect choice when considering retrofitting your existing canopy soffits as well as many other canopy applications. This unique system comes wattage selectable allowing for user friendly operation. Standard 15"x15" beauty plate makes for a smooth and seamless retrofit.

Product features

- 120V-277V
- 5000K
- 140lm/w
- 2,800lm-5,600lm
- Frosted lens
- 15" Beauty Plate
- UL Listed
- IP65
- DLC Premium
- 50,000+ hours lifespan



Product dimensions

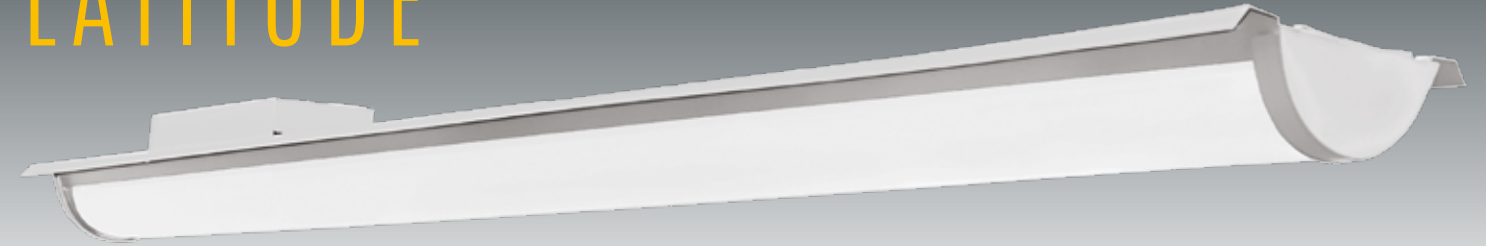


Ordering information

PART NUMBER	KELVIN	VOLTAGE	LM/W
DL-SCR-15-20/30/40-50L0	5000K	120V-277V	140lm/w



LATITUDE



The Duralec LATITUDE series is the top choice for retrofitting 4ft & 8ft strip fixtures. Boost your energy savings and your aesthetics with the DL-SLR. 4000K standard and wattage selectable.

Product features

- 100V-277V
- 20W/30W/40W Selectable
- 4000K Standard
- 130lm/w
- 2 per box
- 50/60Hz
- Attaches to fluorescent strip fixtures ranging from 4.25"-5.25" wide
- 4' in lengths can be mounted back to back to increase lengths or tandem oriented.
- CRI>80
- 0.9 Power factor
- -4°F to 131°F operating temp
- Frosted lens
- IP44
- Dimmable
- Aluminum with polycarbonate lens
- 50,000+ hours lifespan

Ordering Information

SERIES	WATTAGE	KELVIN	LM/W	TOTAL LM CAPABILITY	VOLTAGE
DL-SLR-20/30/40-40L0	20W/30W/40W	4000K	130lm/w	5,200lm	100V-277V



REFRACTOR

Duralec's REFRACTOR series is the most cost efficient and versatile retrofit solution for higher output screw in applications.

Product features

- 12W-54W Medium base, 75W-120W Mogul base
- Medium-to-Mogul base adapter available
- 100V-277V
- 6KV Surge immunity
- Quality heat sync
- Suitable for damp locations and enclosed fixtures
- Must bypass ballast to function
- 5000K Standard
- 125-155lm/w
- UL, cUL Listed
- DLC Listed
- 5 Year Warranty

Ordering Information

SERIES	WATTS	BASE TYPE
DF12-ME	12W	MEDIUM
DF18-ME	18W	MEDIUM
DF27-ME	27W	MEDIUM
DF36-ME	36W	MEDIUM
DF45-ME	45W	MEDIUM
DF54-ME	54W	MEDIUM
DF75-MO	75W	MOGUL
DF100-MO	100W	MOGUL
DF120-MO	120W	MOGUL



Range examples



DF????????



DF????????



DF????????



DF????????

COMET-MINI

The COMET-MINI Flood is designed for low profile applications. Available in 3 wattages and with color selectable features on the Duralec 30W Mini Flood Light. Knuckle mount standard and also an available option with a trunnion mount.

Product features

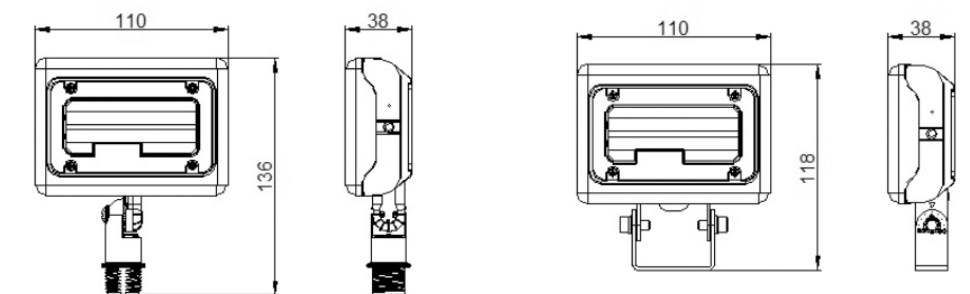
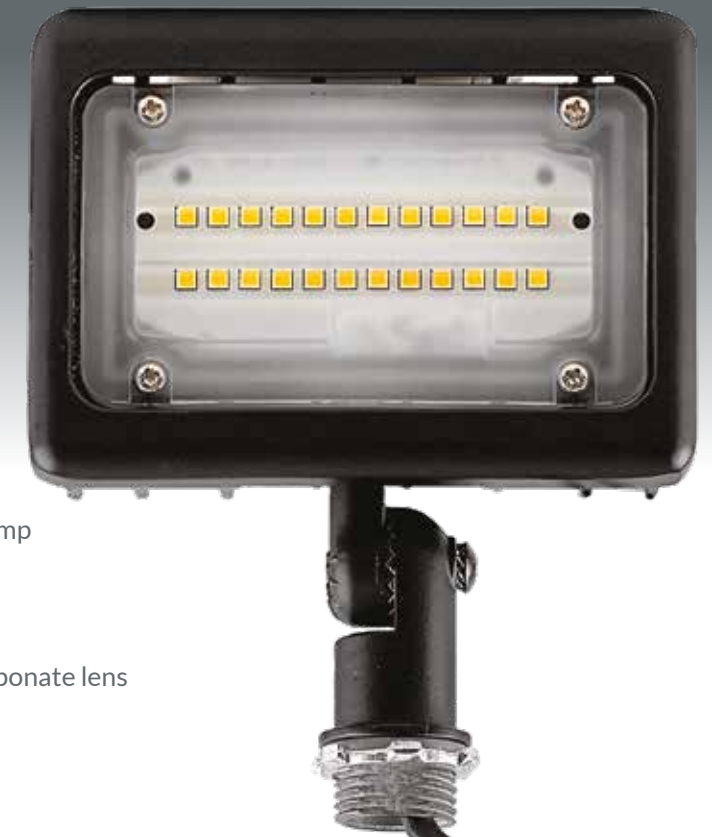
- UL, cUL, DLC certificate
- Seoul semiconductor chip
- CRI>80
- Input voltage 100-277V
- Easy to install and operate
- Flicker-free technology
- 0.9 Power factor
- 4°F-131°F operating temp
- Frosted lens
- IP65
- Dimmable
- Aluminum with polycarbonate lens
- 50,000+ hours lifespan

Product specifications

MODEL	DL-FL06-15W-50L0-KM	DL-FL06-30W-50L0-KM	DL-FL06-30W-30/40/50L0-KM	DL-FL06-50W-50L0-KM
WATTAGE	15	30	30	50
DLC PRODUCT ID	P83QUQYU	PXK5CVFI	PB0617QU	P8HLOBOC

Technical information

COLOR TEMPERATURE	5000K	5000K	3000K/4000K/5000K selectable	5000K
CRI	>80	>80	>80	>80
LUMEN	1750lm	3750lm	3750lm	6250lm
INPUT POWER	15W	30W	30W	50W
INPUT VOLTAGE	100-277V 50/60Hz	100-277V 50/60Hz	100-277V 50/60Hz	100-277V 50/60Hz
PF	>0.9	>0.9	>0.9	>0.9
WATERPROOF RATING	WET (IP65)	WET (IP65)	WET (IP65)	WET (IP65)



COMET



The Duralec COMET LED Shoebox combines the duo of architectural form and versatility to make it an excellent choice for new construction or for retrofit applications. It is offered in a variety of wattages allowing for maximum flexibility in all types of applications.

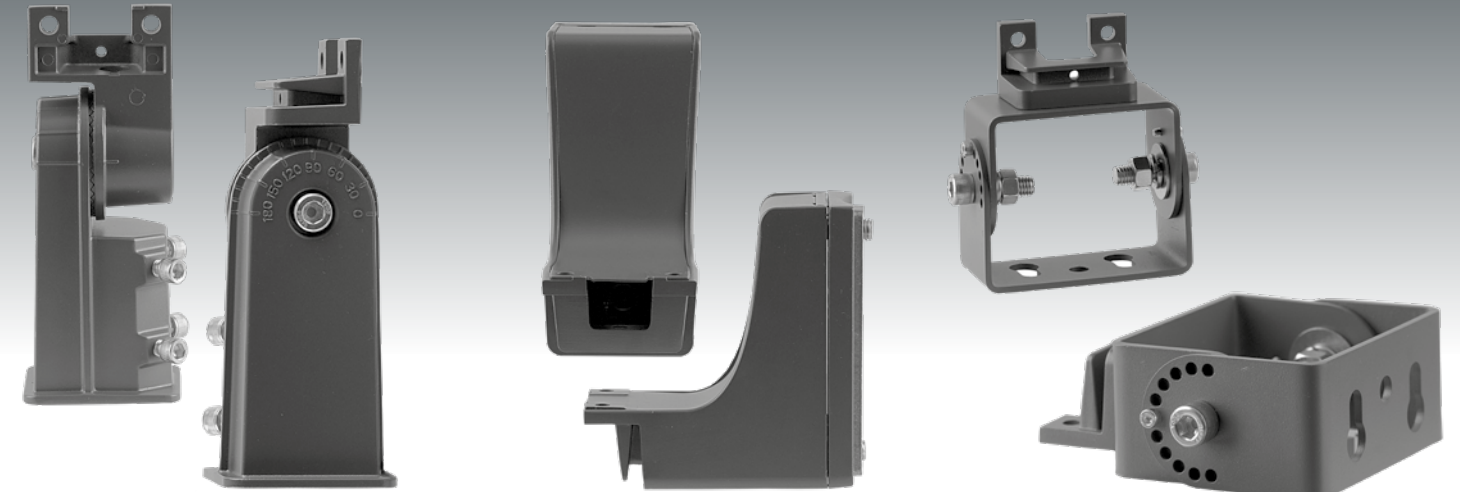
The high output LEDs and custom engineered optics provide excellent uniformity and efficiency, meeting DLC qualifications. It is designed to replace the existing HID fixtures up to 1000W.

Product features

- Sleek and modern aesthetics combined with a rugged construction
- In-built surge protection mechanism (4KV)
- Superior thermal dissipation from an integrated heat sink
- Dimming option available, mode - Voltage (0-10V DC), PWM signal (10V)
- Inputs voltage range: 100-277V, 50-60Hz
- Various optics options available
- Made from prime grade aluminum alloy

EFICACY	130lm/w				
WATTAGE	100W	150W	200W	240W	300W
LUMEN OUTPUT	13000lm	19500lm	26000lm	31200lm	39000lm
HEAT SINK TYPE	High Pressure Die Cast				
LED BRAND & PACKAGE	CREE/LUMILEDS 3030 Package 1W				
NUMBER OF LEDs	176	232	352	396	464
TYPICAL LED LUMENS	152lm				
OPERATING TEMP.	-40°F to +131°F				
IP RATING	IP66				
DRIVER	MW				
DRIVER WATTAGE	100W	150W	200W	240W	300W
DRIVER CURRENT TO LED	2A	2.8A	4A	4.5A	6A
DIFFUSER TYPE	Polycarbonate				
OPTICS DIMENSIONS	279mm x 150mm x 9.5mm				
PCB THICKNESS	0.6mm				
POWER FACTOR	> 0.95				

Mounting options

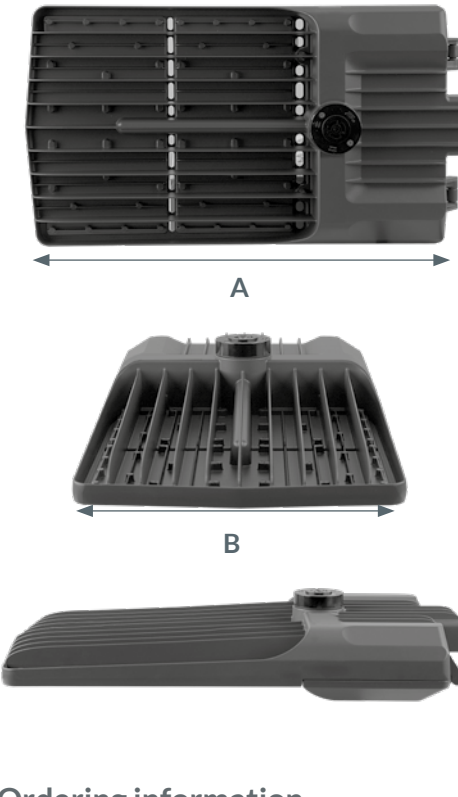


Slip Fitter Pole Mount

Square & Round Pole Mount

Trunnion T Bar Pole Mount

Product dimensions



Wattage	A (in)	B (in)	C (in)
100W - 150W	14.06	12.22	3.35
200W - 300W	22.84	12.22	3.54



Ordering information

PART NUMBER	PART NUMBER	PART NUMBER
DL-SBSF-ACC	DL-SBPWM-ACC	DL-SBTB-ACC



ECLIPSE

FULL CUTOFF

The Duralec ECLIPSE LED Wall Pack Full Cutoff is the best in its class for power efficiency when it comes to light fixtures for wall-mounted security and building facades. It offers reduced energy consumption and eliminates the need for frequent bulb and ballast replacements which are common with conventional wall packs that contain metal halide and high pressure sodium bulbs. It is designed to replace the traditional wall packs up to 1000W HID.



Product features

- Moisture and dust resistant
- Smooth and uniform light output void of flicker or humming noise
- Sleek and modern
- aesthetics combined with a rugged construction
- Resistant to vibration and water
- Inputs voltage range: 100-277V, 50-60Hz

WATTAGE	A (IN)	B (IN)	C (IN)
48W-80W	12.65	0.1	6.8

WATTAGE	EFICACY	LUMEN OUTPUT	LED BRAND AND PACKAGE	OPERATING TEMPERATURE	IP RATING	POWER FACTOR	HEAT SINK TYPE
48W	115 lm/w	5520lm	LUMILED/ CREE 3030, 1W	-20°C to +45°C	IP65	> 0.95	High Pressure Die Cast Aluminum
60W		6900lm					
80W		9200lm					

Ordering information

PART NUMBER	POWER (WATT)	CCT (K) OPTIONAL	CRI	EFFICACY (LM/W)	DIFFUSER TYPE
DL-FCWP-0048-50L02DM1	48W	5000K	70+	>115 lm/w	TYPE 3
DL-FCWP-0060-50L02DM1	60W				
DL-FCWP-0080-50L02DM1	80W				



ECLIPSE

SEMI CUTOFF

The Duralec ECLIPSE LED Wall Pack Semi Cutoff is one of the most energy efficient lighting options in the market for wall-mounted security and building facades. It offers reduced energy consumption and eliminates the need for frequent bulb and ballast replacements that are commonly found with conventional wall packs that contain metal halide and high pressure sodium bulbs. It is designed to replace traditional wall packs up to 400W HID.



Product features

- Moisture and dust resistant
- Smooth and uniform light output void of flicker or humming noise
- Sleek and modern
- aesthetics combined with a rugged construction
- Resistant to vibration and water
- Inputs voltage range: 100-277V, 50-60Hz

WATTAGE	A (IN)	B (IN)	C (IN)
48W-100W	14.21	9.25	7.36

WATTAGE	EFICACY	LUMEN OUTPUT	LED BRAND AND PACKAGE	OPERATING TEMPERATURE	IP RATING	POWER FACTOR	HEAT SINK TYPE
48W	115 lm/w	5520lm	LUMILED/ CREE 3030, 1W	-20°C to +45°C	IP65	> 0.9	High Pressure Die Cast Aluminum
60W		6900lm					
80W		9200lm					
100W		11500lm					

Ordering information

PART NUMBER	POWER (WATT)	CCT (K) OPTIONAL	CRI	EFFICACY (LM/W)	DIFFUSER TYPE
DL-SCWP-0048-50L01DM4	48W	5000K	70+	>115lm/w	Polycarbonate
DL-SCWP-0060-50L01DM4	60W				
DL-SCWP-0080-50L01DM4	80W				
DL-SCWP-0100-50L01DM4	100W				



ECLIPSE

MINI

The Eclipse Mini Wall Pack is designed for lower profile applications above a door or around the outside of a building. This product comes standard with a photocell making this the ultimate energy saving, versatile choice.

Product features

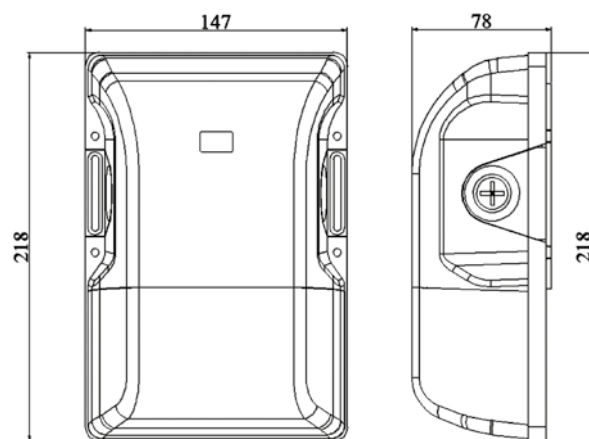
- UL, cUL certificate
- IP65
- Input voltage 100-277V
- Easy to install and operate
- Energy saving
- Long lifespan
- Instant start



Applications

- Entrance lighting
- Courtyard lighting
- Industrial lighting
- Outdoor landscape lighting
- Hotels
- Internal and external walled areas

Product dimensions



Product Specifications

WATTAGE	15W	20W	30W
DIMENSIONS	218 x 147 x 78mm		

Technical Information

COLOR TEMPERATURE	5000K	5000K	5000K
CRI	> 80	> 80	> 80
LUMEN	1950lm	2700lm	3900lm
LUMEN EFFICACY	135lm/w	135lm/w	135lm/w
INPUT VOLTAGE	100-277V 50/60Hz	100-277V 50/60Hz	100-277V 50/60Hz
PF	> 0.9	> 0.9	> 0.9
WATERPROOF RATING	IP65	IP65	IP65

Materials

OPTIONAL ACCESSORY	Photocell
HOUSING COLOR	Black
OPERATING TEMPERATURE	-20°C to 45°C
WARRANTY PERIOD	5 Year



WIRING DEVICES

Whether you are looking for a Toggle or Decorative Switch, Outlet/Receptacle or GFCI or Cover Plate, Duralec has you covered.



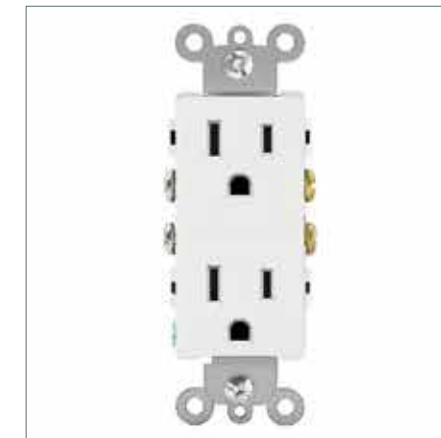
Toggle Switch



Decorative Switch



Duplex Outlet



Decorative Outlet



GFCI



Cover Plate

Available in White or Ivory, Tamper Resistant, 15A & 20A as well as Self-Grounding clips to meet certain city code requirements.

Reach out to an Intrinsic representative or go online to visit our website to learn more and browse our selection at www.Duralec.com

CASE STUDIES

Manufacturing Facility

Itasca, Illinois
110,000 sq ft

160W Duralect LED High Bay with
intergrated occupancy/dimming sensor

ANNUAL SAVINGS - \$10,086

ENERGY REBATE - \$30,000

**INCREASED LIGHT OUTPUT -
20-30 FOOTCANDLES**

Municipality Upgrade

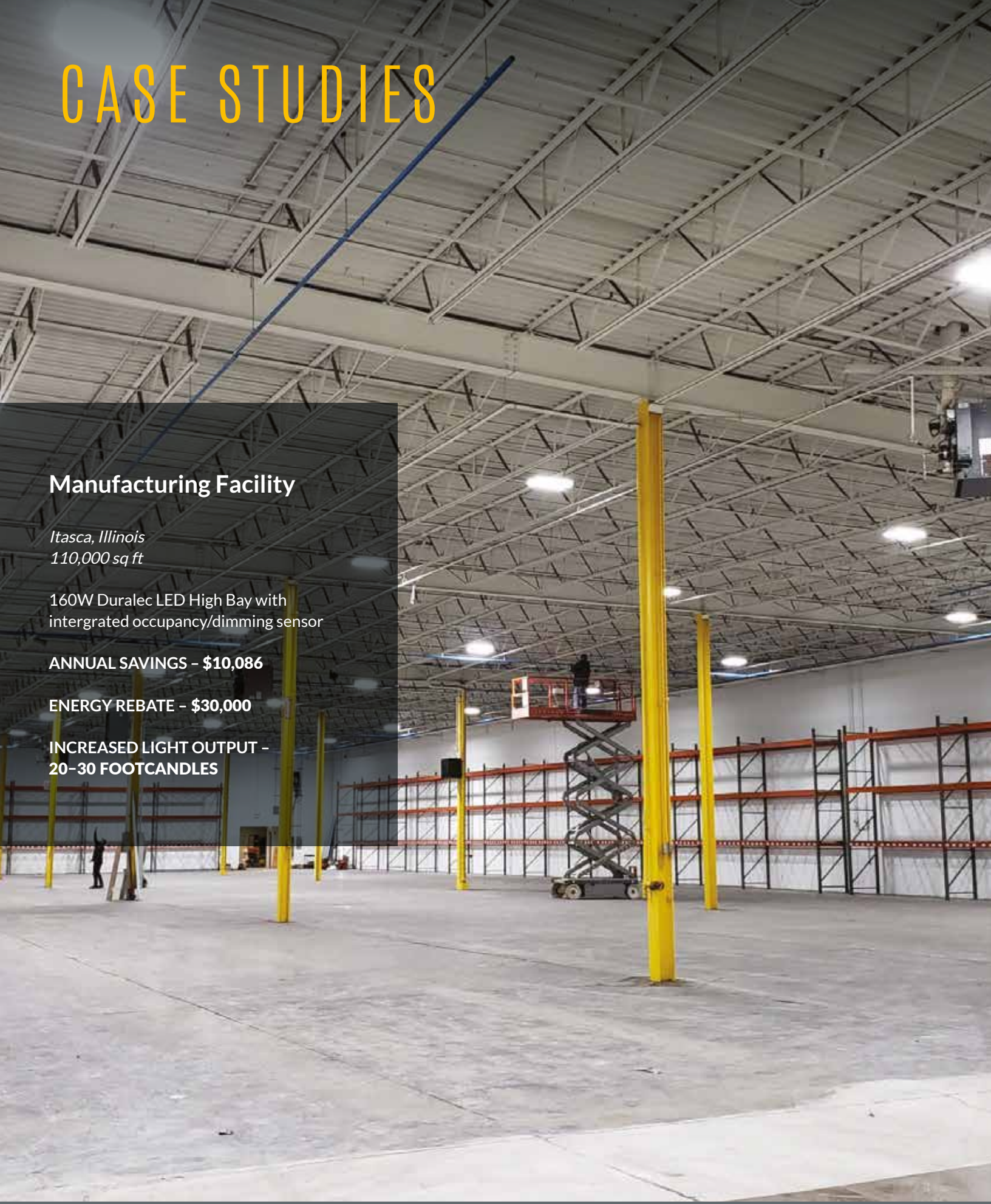
Village Hall/Public Works
40,000 sq ft

100W Duralect Round High Bay
150W Duralect Area Lights

**COST OF INSTALLATION -
UNDER \$2,000**

ENERGY REBATE - \$17,000

**INCREASED LIGHT OUTPUT -
18-34 FOOTCANDLES**



INTRINSIX



DURALEC.COM



847-250-7902



SALES@DURALEC.COM



550 ALBION AVE. SCHAUMBURG, IL 60193



Reach out to Duralec to meet
a friendly representative today by calling

847-250-7902